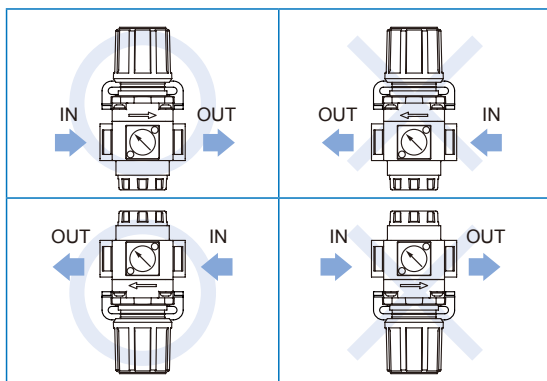


for MAR200 / 201 / 302 / 401 / 403

Installation direction

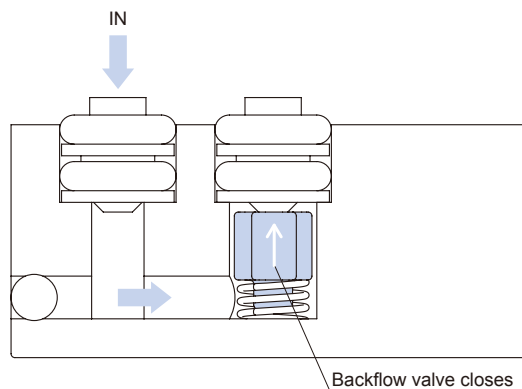
When choosing the flow direction, the backflow module can not be exchanged with gauge. If you have special order request, please contact our sales department.



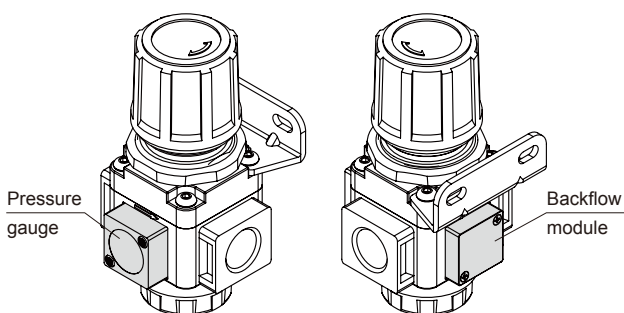
Working principle

Normally, as the inlet pressure (IN) is higher than the setting pressure (pressure of outlet), the backflow valve is closed. If the inlet pressure is cut off, backflow valve will be open and the outlet pressure is exhausted to IN port.

Normal air supply



Precautions



- When the air supply is cut off, the inlet pressure less than outlet pressure, the residual pressure return to the inlet side.
- Please set the inlet pressure to at least 0.05MPa higher than the set pressure.

Cut off air source

