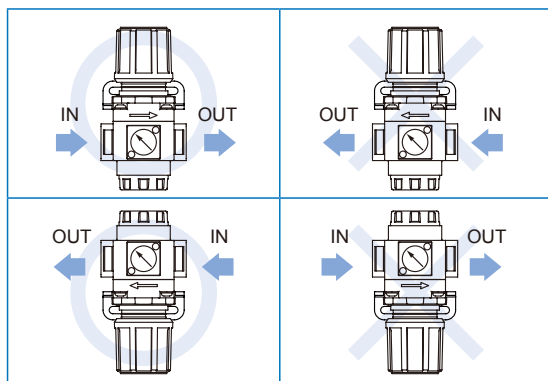


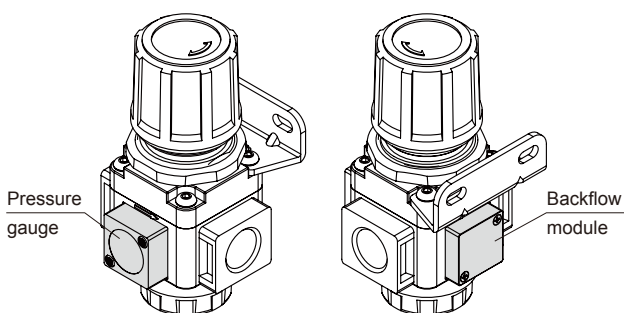
for MAR200 / 201 / 302 / 401 / 403

Installation direction

When choosing the flow direction, the backflow module can not be exchanged with gauge. If you have special order request, please contact our sales department.



Precautions

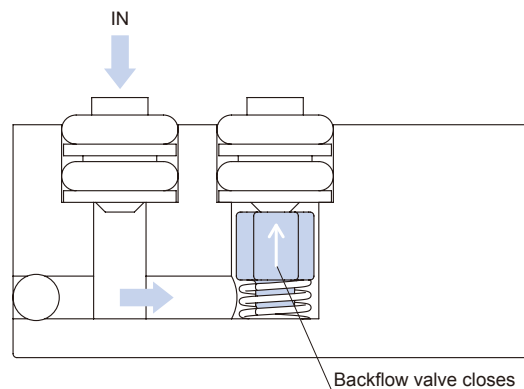


- When the air supply is cut off, the inlet pressure less than outlet pressure, the residual pressure return to the inlet side.
- Please set the inlet pressure to at least 0.05MPa higher than the set pressure.

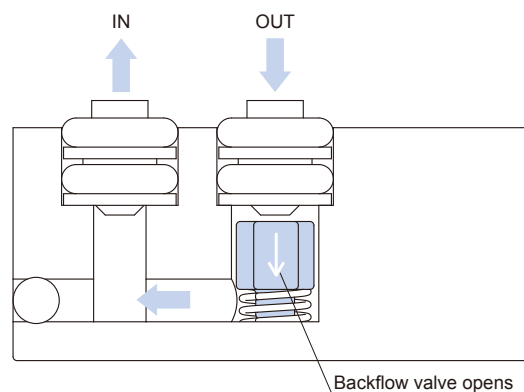
Working principle of backflow function

Normally, as the inlet pressure (IN) is higher than the setting pressure (pressure of outlet), the backflow valve is closed. If the inlet pressure is cut off, backflow valve will be open and the outlet pressure is exhausted to IN port.

Normal air supply



Cut off air source



MAR200 series

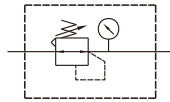
PRESSURE REGULATOR



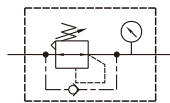
mindman



Symbol



Standard

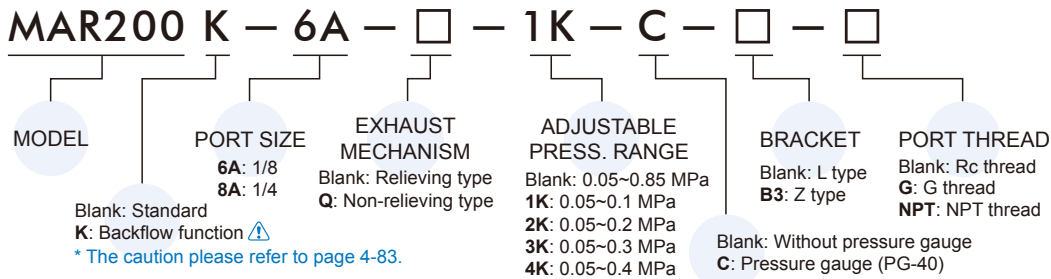


Backflow

Specification

Model	MAR200	
Bore No.	6A	8A
Port size	1/8	1/4
Medium	Air	
Max. operating pressure	1 MPa	
Proof pressure	1.5 MPa	
Regulated pressure range	Standard type: 0.05~0.85 MPa	
Ambient temperature	- 5~+60°C (No freezing)	
Attachment	L-type bracket	
Option	Pressure gauge (PG-40), Z-type bracket	
Weight	190 g	

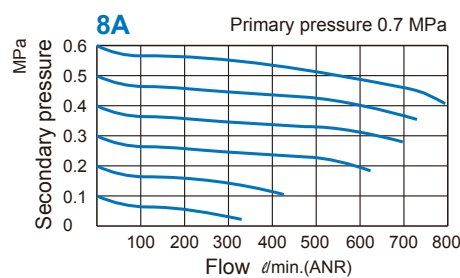
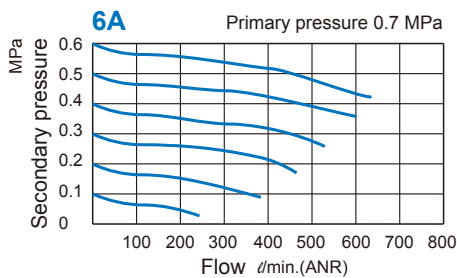
Order example



* Standard type regulator can not release the outlet pressure completely, even if inlet pressure was cut off, and the backflow function (K) must be applied to completely remove the residual pressure.

* The (Q) non-relieving type regulator is used. When the output pressure is higher than the set pressure, the output pressure will not flow out through the exhaust hole.

Flow feature



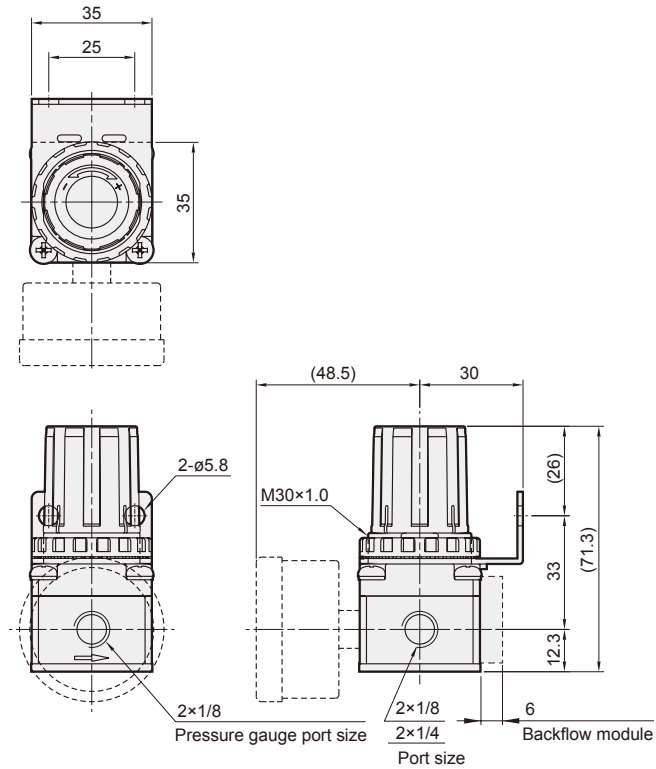
MAR200 Dimensions

PRESSURE REGULATOR



MAR200

L type bracket



MAR200-Z

Z type bracket

