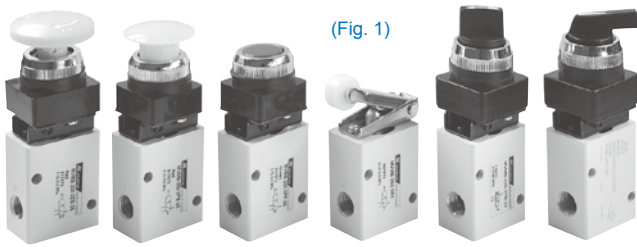


MVMB-250 series

MECHANICAL VALVE



(Fig. 1)

Specification

Model	MVMB-250
Bore No.	8A
Port size	Rc1/4
No. of port	2 or 3
No. of position	2
Medium	Air
Operating pressure range	0~1 MPa
Proof pressure	1 MPa
Effective orifice	18 mm ²
Ambient temperature	-5~+60°C (No freezing)
Weight	193 g

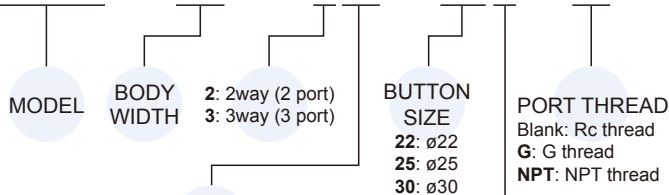
Actuator-holder (Fig. 2)



- Type $\phi 22$, the body and actuator-holder in (Fig. 2).
- Type $\phi 22$ can set or release button by simply switching actuator-holder.
- Type $\phi 25$, $\phi 30$ fix bracket in (Fig. 1).
- Type $\phi 25$, $\phi 30$ Actuator set or released by screwdriver.
- If choose type 2B1-22 and 3B1-22, it need an extra order of Actuator-holder when a button is needed.

Order example

MVMB - 250 - 3PB - 25B - G

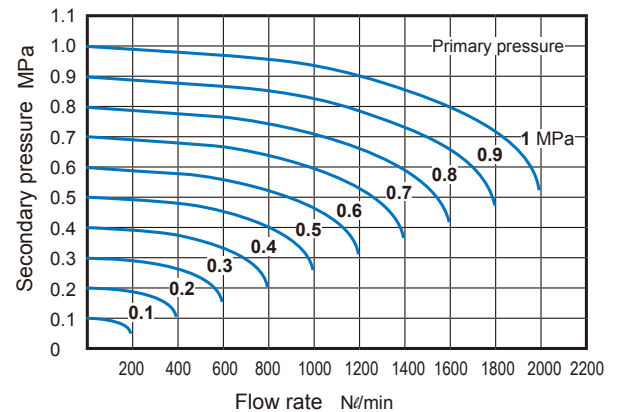


- B1:** Body (without button)
R1: Roller lever
EB: Latching palm button
LB: Extended twist button
TB: Twist button
PB: Mushroom palm button
PP: Push button

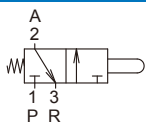
BUTTON COLOR

Color	Type
—	B1 type R1 type
G: Green	EB type
R: Red	
B: Black	LB type TB type
B: Black	
G: Green	PB type PP type
R: Red	

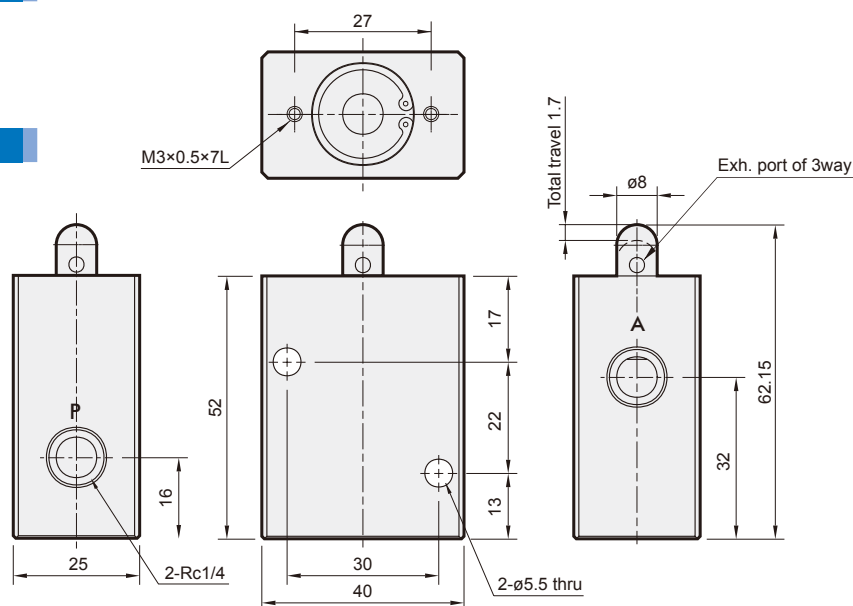
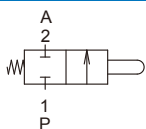
Flow features



MVMB-250-3B1



MVMB-250-2B1

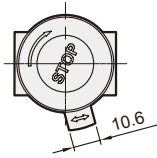
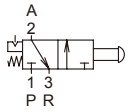


MVMB-250 Dimensions

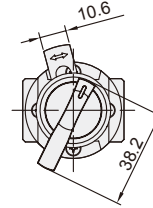
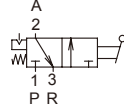
MECHANICAL VALVE



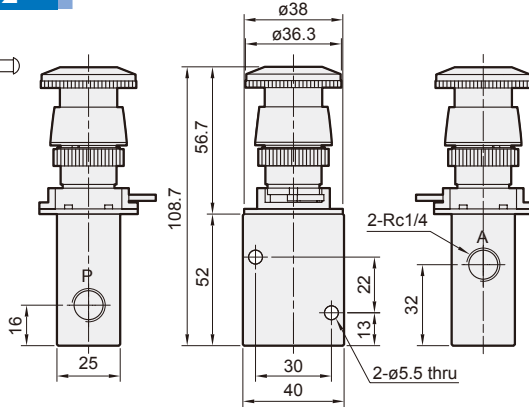
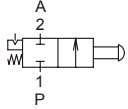
3EB-22



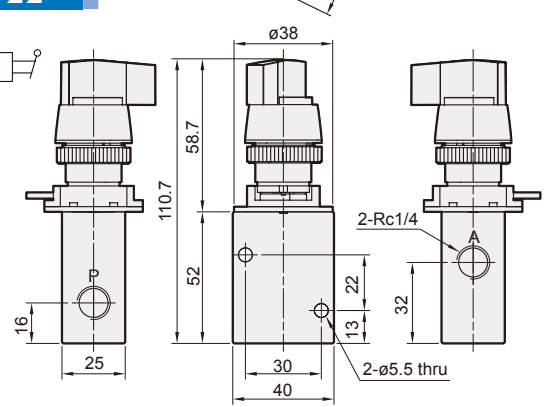
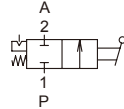
3LB-22



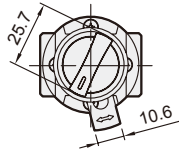
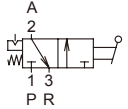
2EB-22



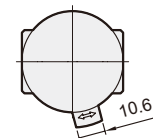
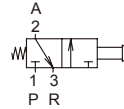
2LB-22



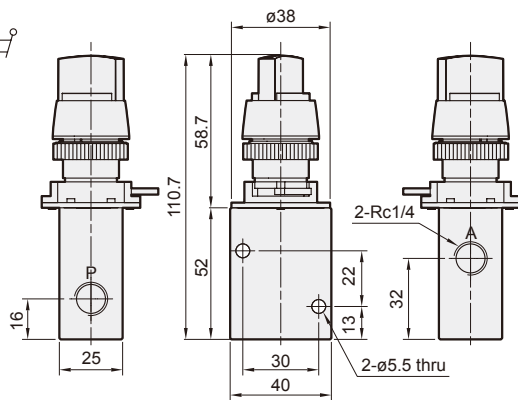
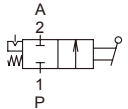
3TB-22



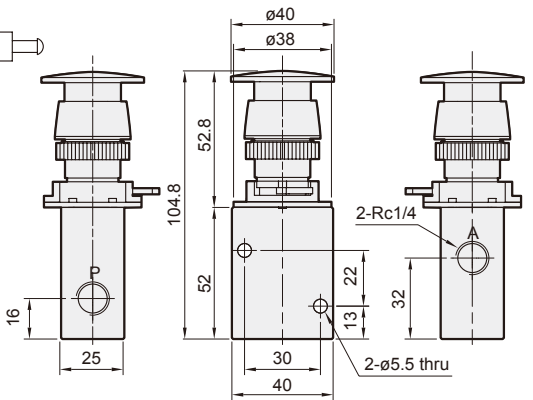
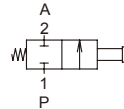
3PB-22



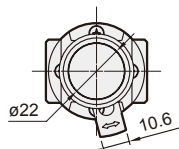
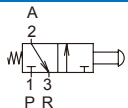
2TB-22



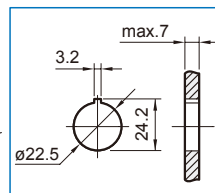
2PB-22



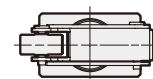
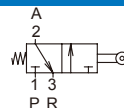
3PP-22



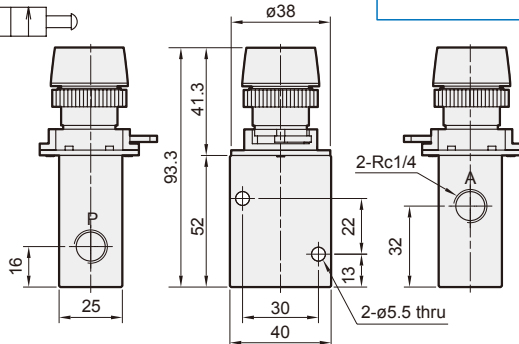
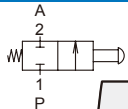
Panel mounting hole



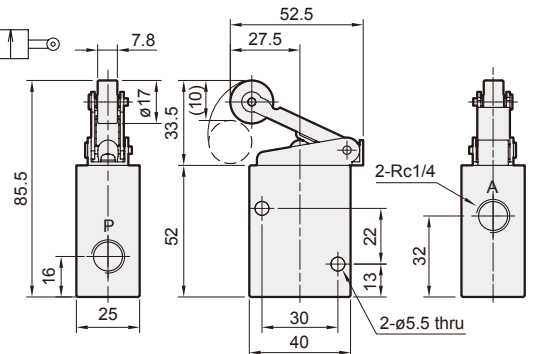
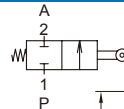
3R1



2PP-22



2R1

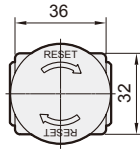
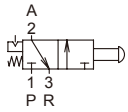


MVMB-250 Dimensions

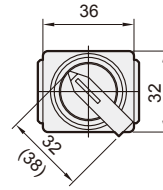
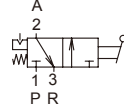
MECHANICAL VALVE



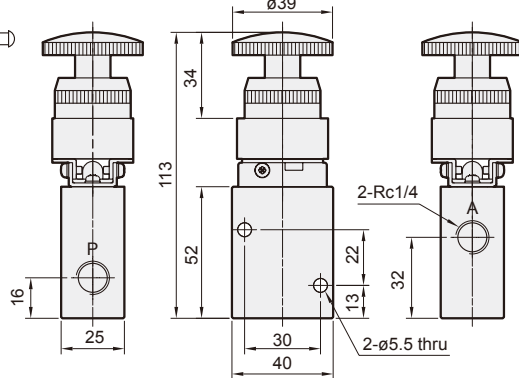
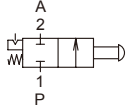
3EB-25/30



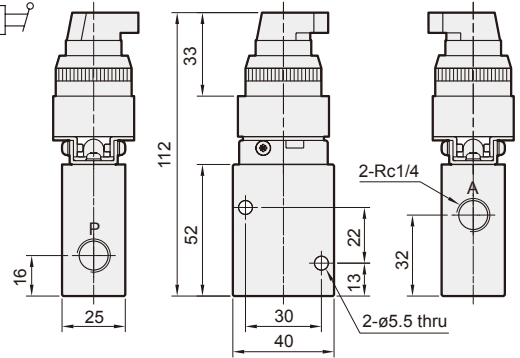
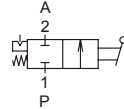
3LB-25/30



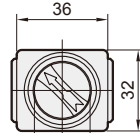
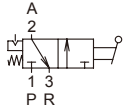
2EB-25/30



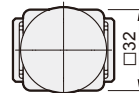
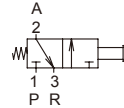
2LB-25/30



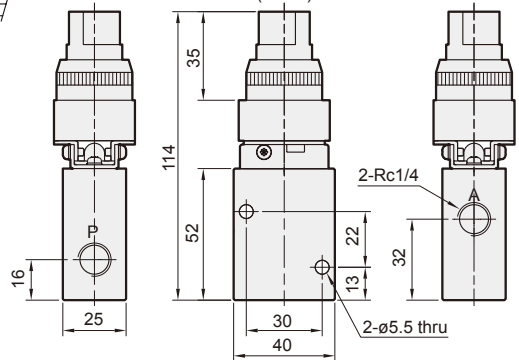
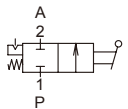
3TB-25/30



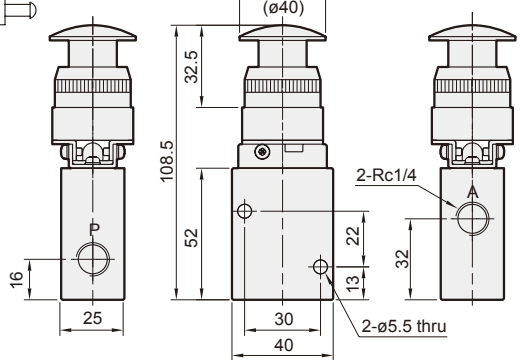
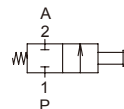
3PB-25/30



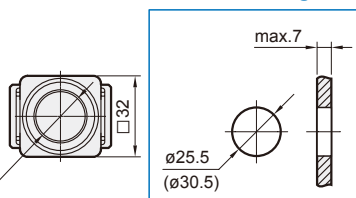
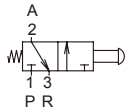
2TB-25/30



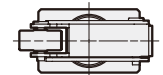
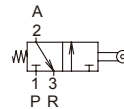
2PB-25/30



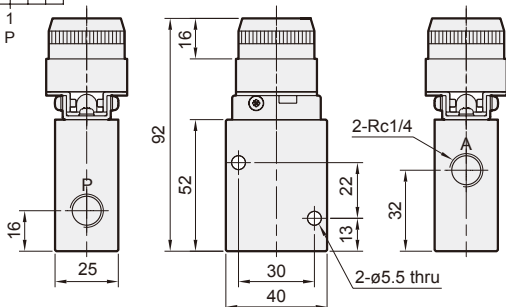
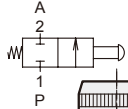
3PP-25/30



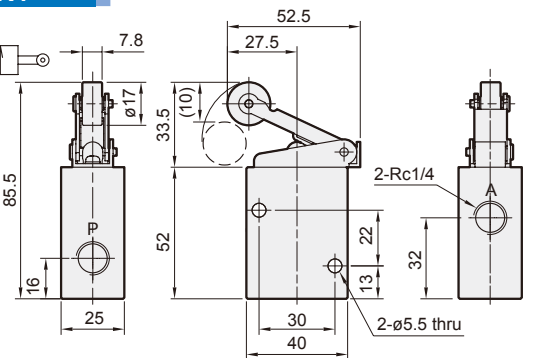
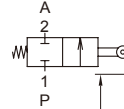
3R1



2PP-25/30



2R1



(): Dimension for button size ø30.