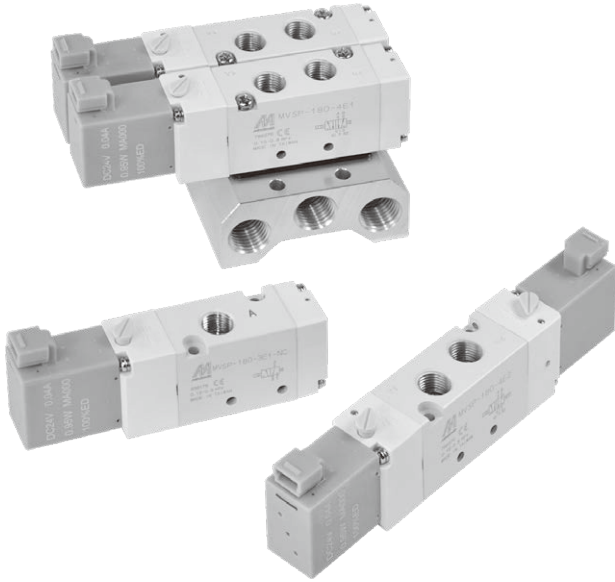


MVSP-180 series

SOLENOID VALVE

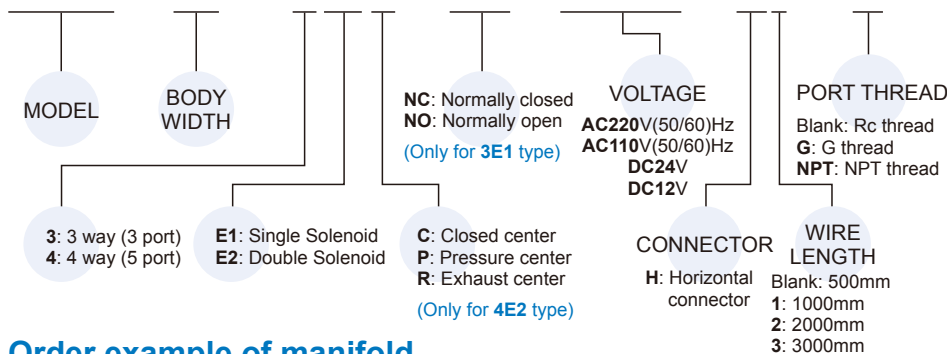


Specification

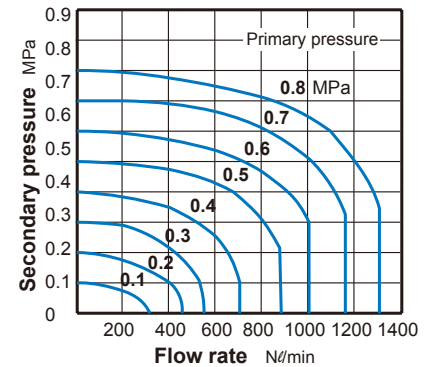
Model	3E1	3E2	4E1	4E2	4E2 C.P.R
Port size	Rc1/8				
No. of port / position	3/2		5/2		5/3
Medium	Air				
Operating pressure range	0.15~0.8 MPa			0.2~0.7 MPa	
Proof pressure	1 MPa				
Effective orifice	15 mm ²		12 mm ²		9 mm ²
Response time	30 ms				
Ambient temperature	-5~+50°C (No freezing)				
Voltage	AC110V, 220V (50/60)Hz, DC24/12V				
Power consumption	AC=2.5VA, DC=0.95W				
Available voltage range	±10%				
Insulation class	F class				
Weight	90 g	125 g	94 g	129 g	143 g

Order example of valve

MVSP – 180 – 4E2C – NC – AC110 – H1 – G

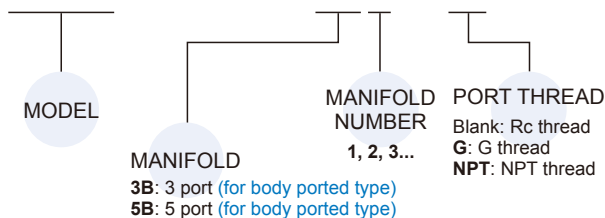


Flow features



Order example of manifold

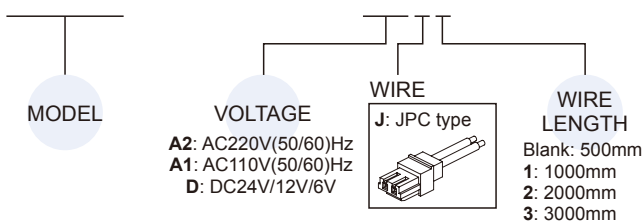
MVSP – 180 – 3B3 – G



Order example of wire

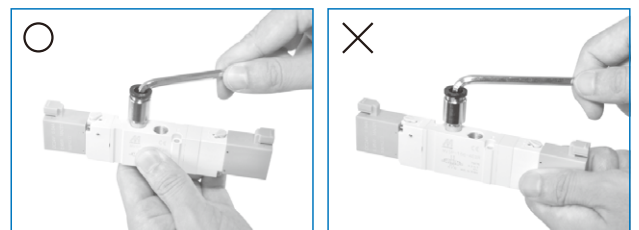
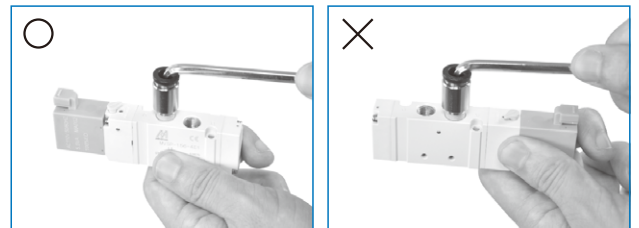
* Use the same wire with MVDY.

MVDY – 100 – WA2J2



Caution

Prohibit apply force to coil when tighten the tube fitting.

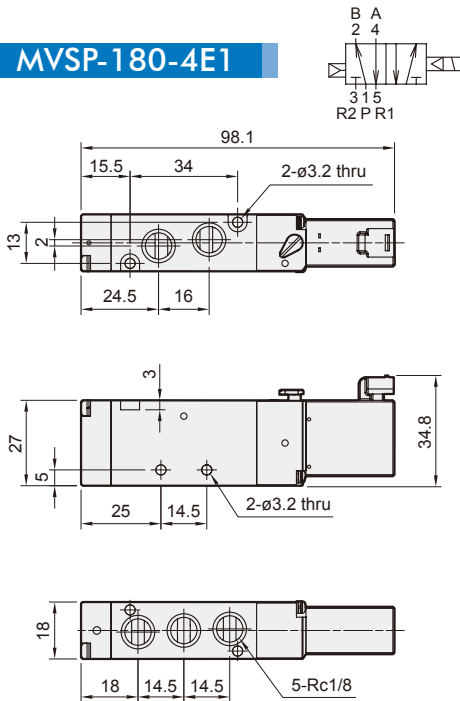


MVSP-180 Dimensions

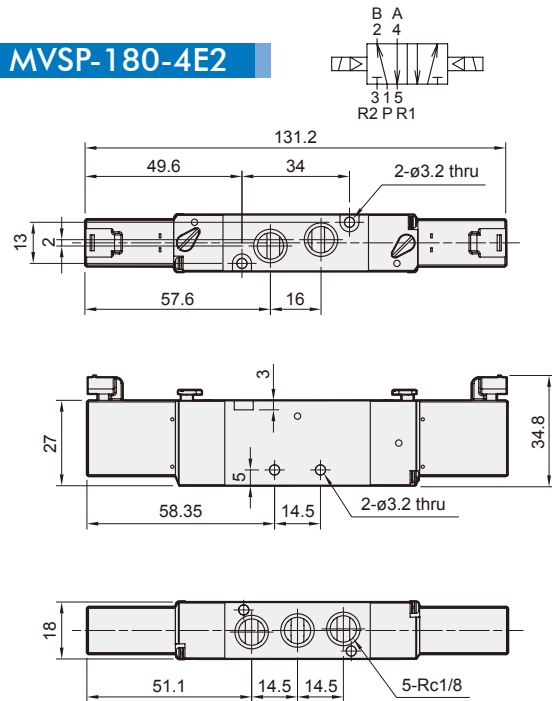
SOLENOID VALVE



MVSP-180-4E1

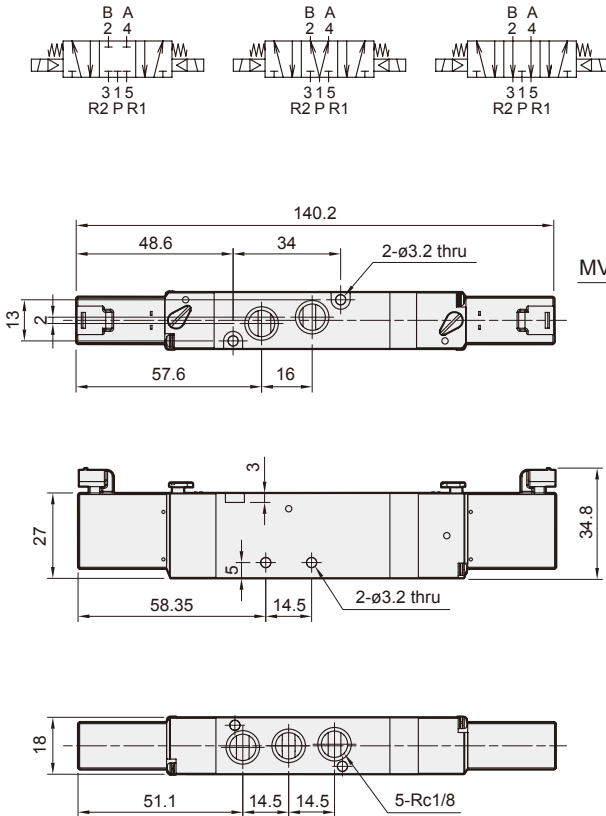


MVSP-180-4E2



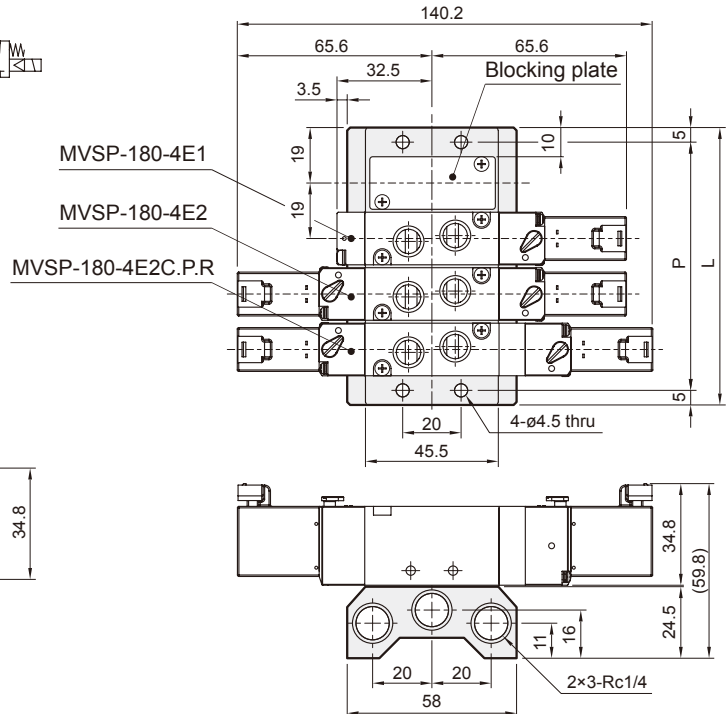
MVSP-180-4E2C.P.R

MVSP-180-4E2C MVSP-180-4E2P MVSP-180-4E2R



MVSP-180-5B*

5 port (for body ported type)



No. of stations	P	L
2	47	57
3	66	76
4	85	95
5	104	114
6	123	133

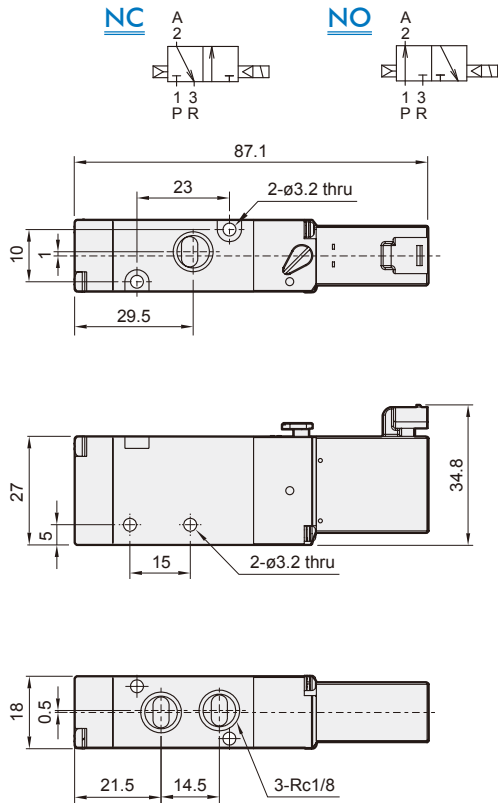
No. of stations	P	L
7	142	152
8	161	171
9	180	190
10	199	209

MVSP-180 Dimensions

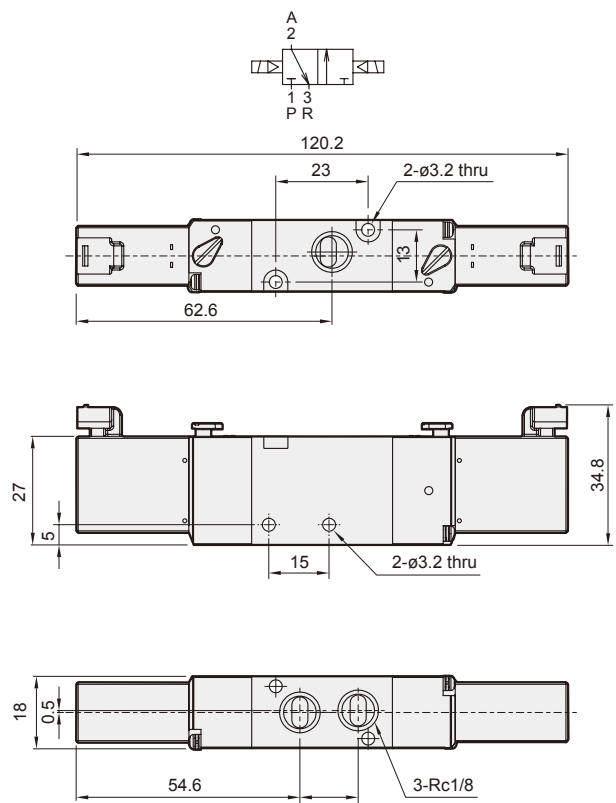
SOLENOID VALVE



MVSP-180-3E1-NC/NO

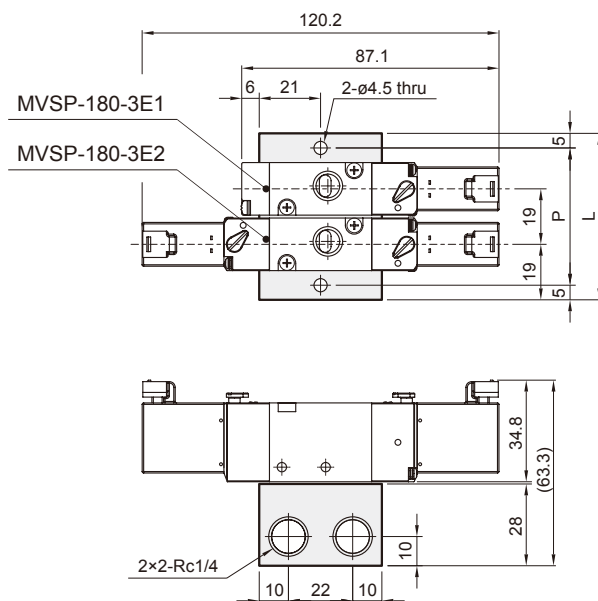


MVSP-180-3E2



MVSP-180-3B*

3 port (for body ported type)



No. of stations	P	L
2	47	57
3	66	76
4	85	95
5	104	114
6	123	133
7	142	152
8	161	171
9	180	190
10	199	209